

### Technical characteristics

- Flow rates:
  - 5 l/h at 8 bar
  - 3 l/h at 10 bar
- Power supply:
  - 100÷240 Vac 50/60 Hz
  - 240 Vac 50/60 Hz
  - 24 Vac/dc
- Stroke rate: 160 strokes/minute
- Pump head:
  - PVC
- Diaphragm: PTFE
- External Enclosure: PP protection degree IP65
- Installation kit: Included

Seko Kompact Series is a simple solenoid dosing pump, operating with a micro-processor to manage the dosing.

Its external enclosure has an IP55, which guarantees a protection versus splashing water and aggressive environments.

Kompact pump has a LED, which shows the state of the operation, according the dosing regulation, constant **C** or proportional **P**:

#### Constant

- Steady green LED switches off with every stroke (pump running)
- Flashing green LED when the potentiometer is to 0
- Steady red LED switches on with the low level alarm

#### Proportional

- Steady orange LED switches off with every stroke (pump running)
- Flashing orange LED when the potentiometer is to 0

The pump head has a manual priming valve, the flow rate is manually adjustable from 0 (pump stop) to 100% of the max flow rate moreover it is equipped with the low level alarm and includes the installation kit as well.

. Kompact pump can be fixed on wall by fixing brackets .

#### Models

**AMS** Constant flow rate manually adjustable by control dial on the front panel

**AML** Constant flow rate manually adjustable by control dial on the front panel, two flow rate ranges:

- **C** position 0-20% of max flow rate
- **P** position 0-100% of max flow rate

**AMM** Constant flow rate manually adjustable and proportional according to a signal 4-20 mA

**AMC** Constant flow rate manually adjustable and proportional according to a digital signal (Division mode 4:1)

# DOSING PUMP

## *Kompact* SERIES- Solenoid dosing pump

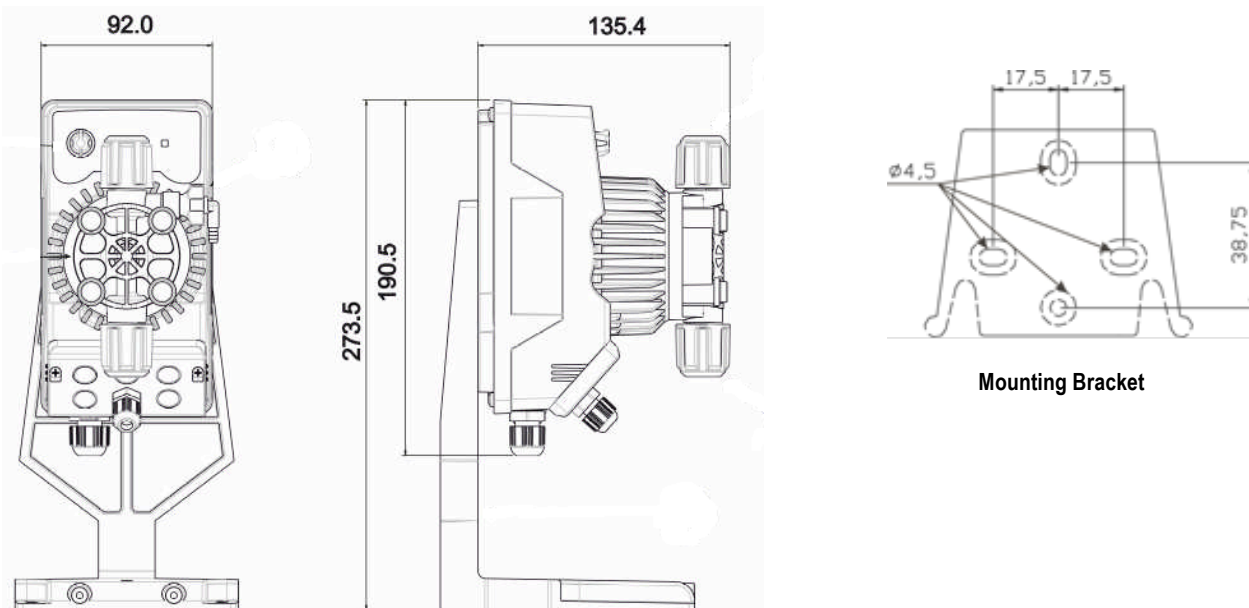
### PUMP KEY CODE

1°	Model							
AMS	Analog dosing pump with constant flow rate, manually adjustable							
AML	Analog dosing pump with constant flow rate, manually adjustable, two frequency range 0÷20% ( <b>P</b> position), 0÷100% ( <b>C</b> position) of max flow rate, level control input							
AMM	Analog dosing pump with two frequency ranges: constant flow rate (manually adjustable) and proportional flow rate according to an external analog (4-20 mA) signal, level control input							
AMC	Analogic dosing pump with two frequency ranges: constant flow rate (manually adjustable) and proportional flow rate according to an external digital (water meter) signal, Division mode 4:1, level control input							
2°	Hydraulic							
200	Pressure [bar]	Flow rate [l/l]	cc/stroke	Stroke/min				
	8	5	0,52	160				
	10	3	0,31					
3°	Power supply							
A	240 Vac 50 Hz (AMS)							
N	100÷240 Vac 50/60 Hz							
O	24 Vac/Vdc							
4°	Pump head							
P	Body pump	Ball	Diaphragm					
	PVC	Ceramic	PTFE					
5°	Installation kit enclosed							
E	Foot filter / Injection valve					Ball		
	PP					Ceramic		
6°	Seat valve							
0	FPM							
1	EPDM							
7°	Market							
0	ALL							
U	USA							
8	CHINA							
8°	Optional							
0	Standard							
9°	Optional							
0	Standard							
AML	200	N	P	E	0	0	0	0

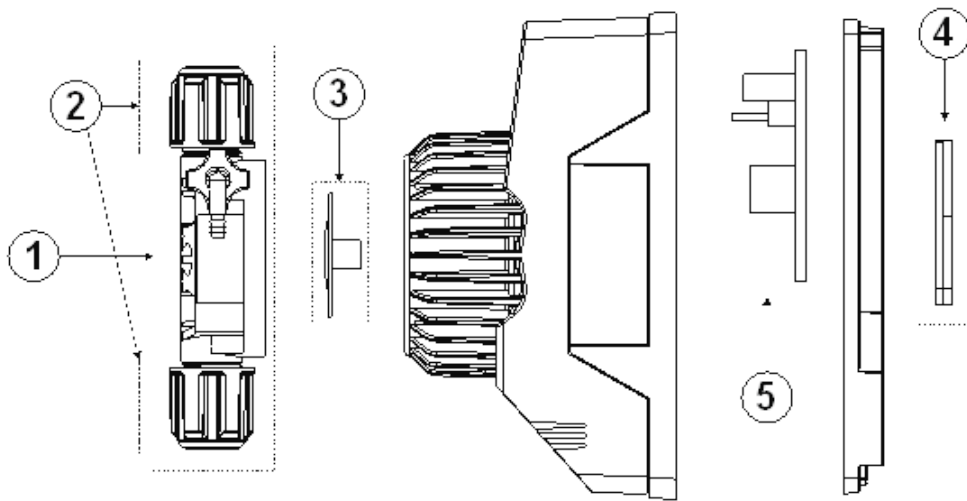
### HYDRAULIC CHARACTERISTICS

Pump Model	Stroke/ min	Flow rate		Power supply
		l/h	l/h	
A M S 2 0 0	160	5 at 8 bar	3 at 10 bar	240 Vac
A M S 2 0 0	160	8 at 2 bar	6 at 5 bar	24 Vac
A M S 2 0 0	160	7 at 2 bar		24 Vdc
A M L 2 0 0	160	5 at 8 bar	3 at 10 bar	100÷240 Vac
A M M 2 0 0	160			
A M C 2 0 0	160			

### DIMENSIONS\*



\*The dimension are the same for all models



Ref.	Description	Model
1	<b>Complete Pump Head</b> ( PVC, Ceramic balls) Seals and Valves made in:	FPM
		EPDM
2	<b>Valve assembly</b> Suction + Discharge (PVC / Ceramic) Seals made in:	FPM
		EPDM
3	<b>Diaphragm</b>	PTFE
4	<b>Mounting bracket</b>	all the models
5	<b>Electronic control boards</b>	all the models

### INSTALLATION KIT

<b>WTD Installation Kit- PP</b> Foot filter, Screws, fixing bracket, Injection valve, 2m PE tube (delivery), 4 mt PVC tube (suction), Seal in FPM and EPDM	all the models
---	----------------



**Fixing bracket**



**Injection valve**



**Suction tube**



**Delivery tube**



**Foot filter**